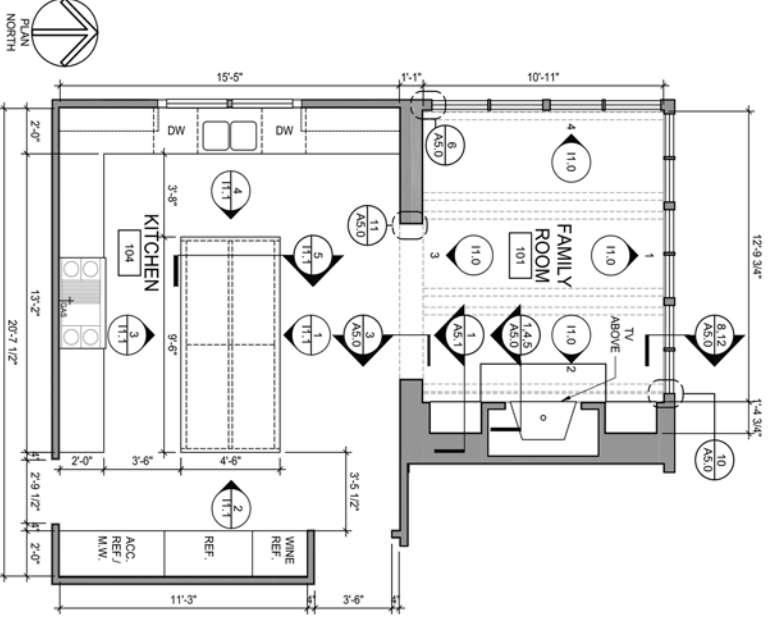


DRAWN BY: JMH
 CHECKED BY: UNCHECKED
 DATE: SPRING 2013
 REVISIONS:

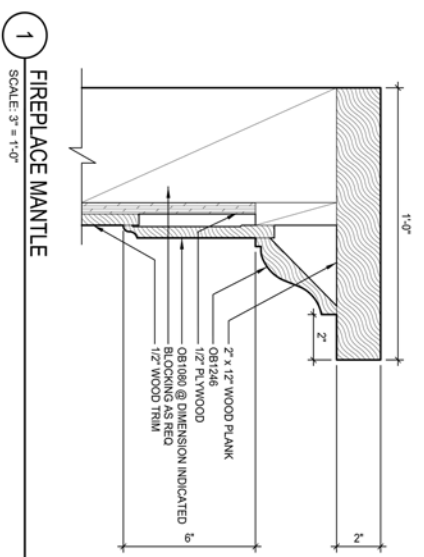
JESSICA HOLMAN
 INT305
 DETAILING
 JOSH BRINCKO

FLOOR
 PLAN

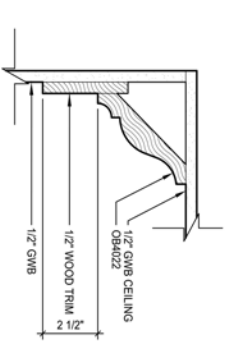
A1.0



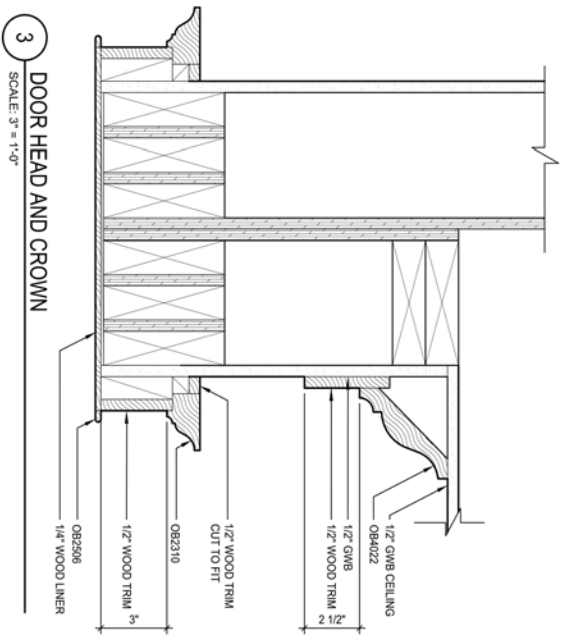
1 FAMILY ROOM & KITCHEN FLOOR PLAN
 SCALE: 1/4\" = 1'-0\"



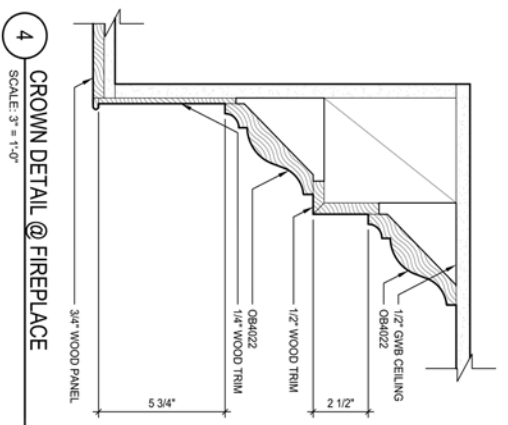
1 FIREPLACE MANTLE
SCALE: 3" = 1'-0"



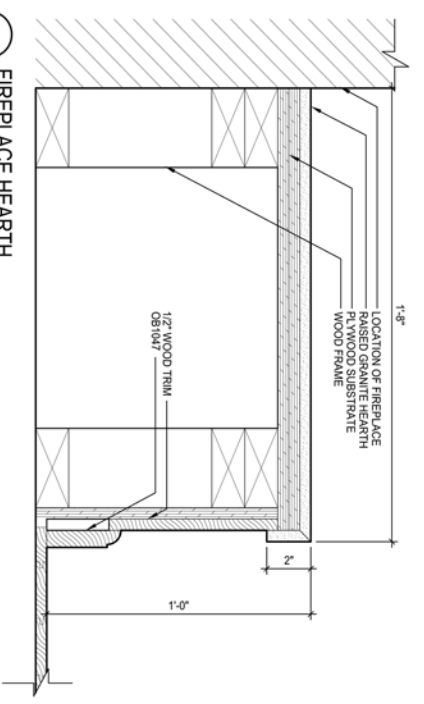
2 CROWN DETAIL
SCALE: 3" = 1'-0"



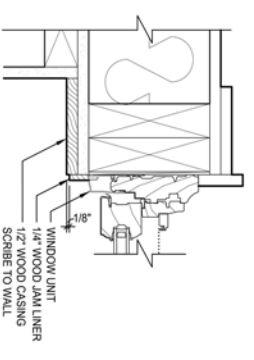
3 DOOR HEAD AND CROWN
SCALE: 3" = 1'-0"



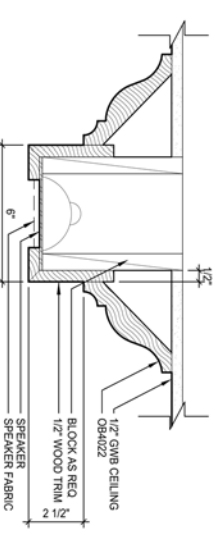
4 CROWN DETAIL @ FIREPLACE
SCALE: 3" = 1'-0"



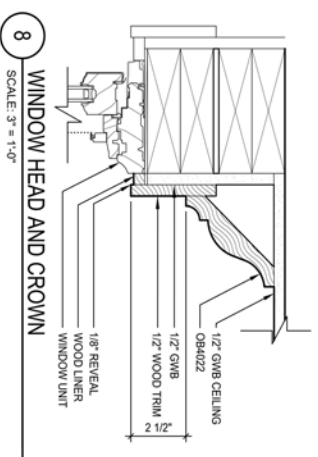
5 FIREPLACE HEARTH
SCALE: 3" = 1'-0"



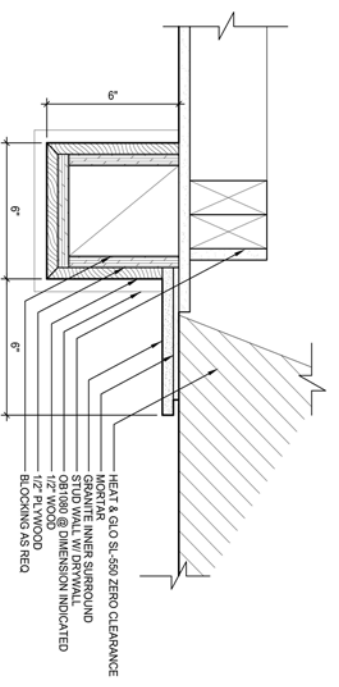
6 WINDOW JAMB/CASING
SCALE: 3" = 1'-0"



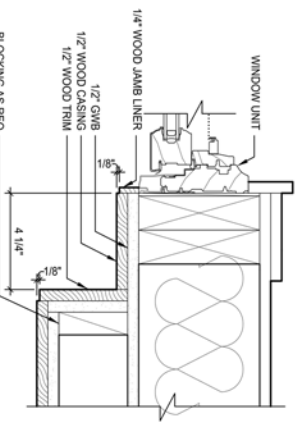
7 BOXED BEAM W/SPEAKER
SCALE: 3" = 1'-0"



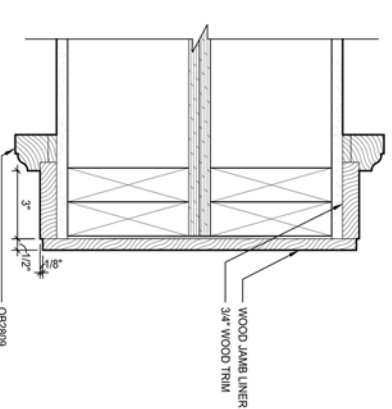
8 WINDOW HEAD AND CROWN
SCALE: 3" = 1'-0"



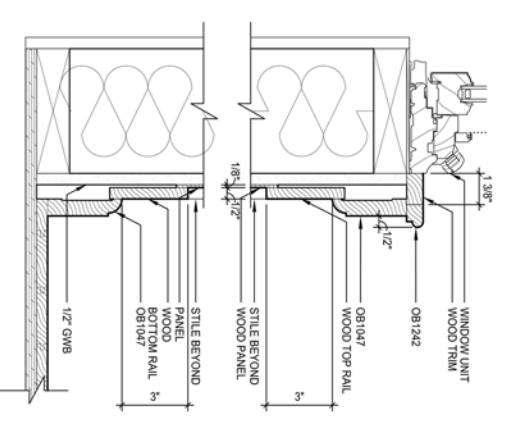
9 FIREPLACE SURROUND
SCALE: 3" = 1'-0"



10 WINDOW JAMB/CASING
SCALE: 3" = 1'-0"



11 DOOR CASING
SCALE: 3" = 1'-0"



12 WAINGSCOT AND SILL
SCALE: 3" = 1'-0"

NOTE: ALL WOOD TO BE PAINTED WHITE UNLESS OTHERWISE NOTED

DRAWN BY:	JMH
CHECKED BY:	UNCHECKED
DATE:	SPRING 2018
REVISIONS:	

JESSICA HOLMAN
INT305
DETAILING
JOSH BRINCKO

DETAILS

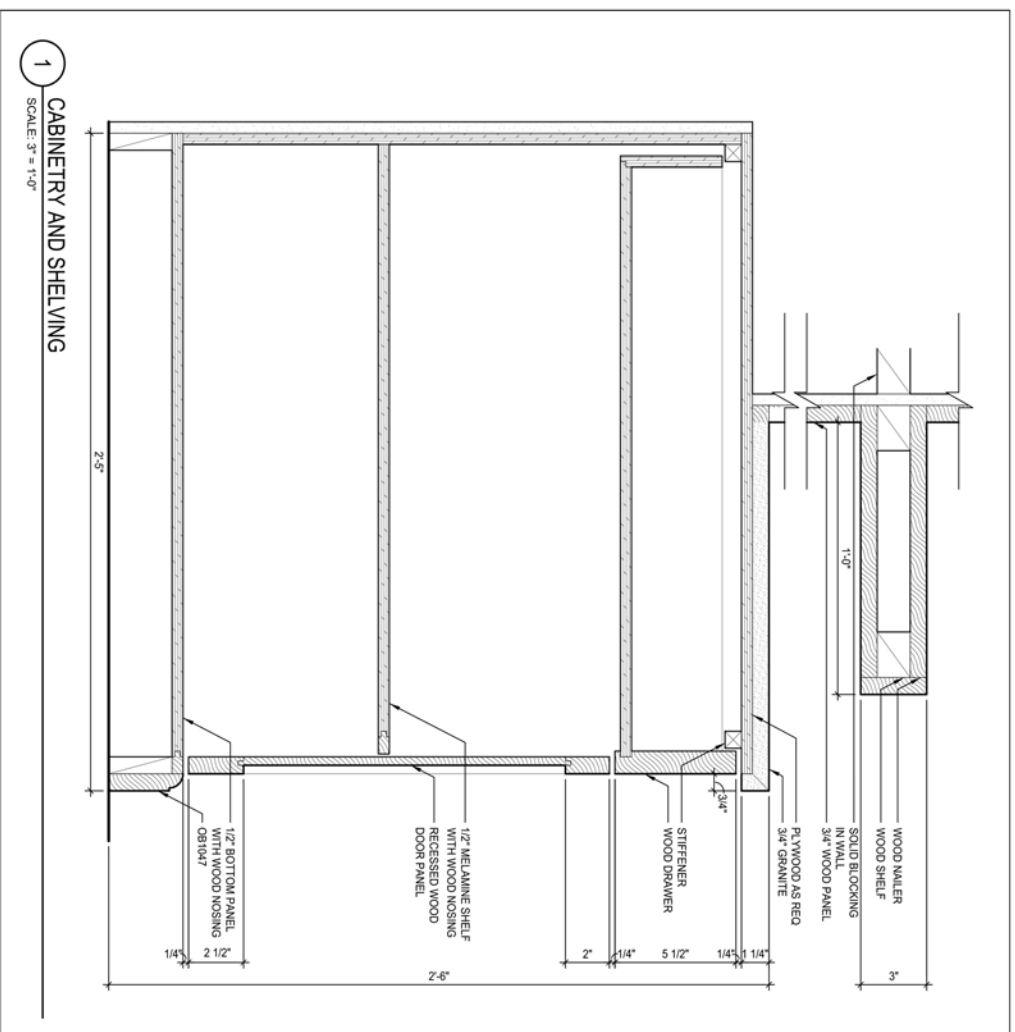
A5.0

DRAWN BY: JMH
 CHECKED BY: UNCHECKED
 DATE: SPRING 2013
 REVISIONS:

JESSICA HOLMAN
 INT305
 DETAILING
 JOSH BRINCKO

DETAILS

A5.1



1 CABINETRY AND SHELVING
 SCALE: 3/4" = 1'-0"

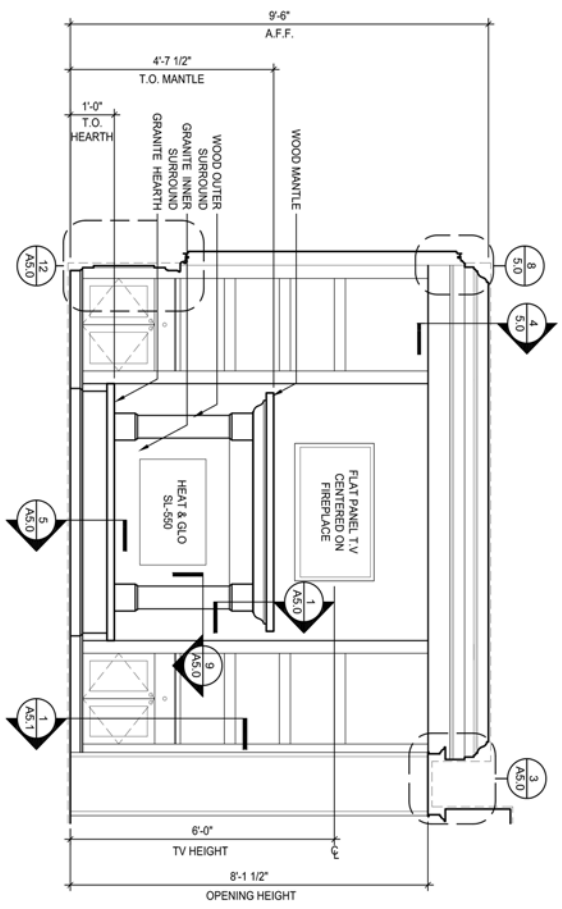
NOTE:
 ALL WOOD TO BE PAINTED WHITE UNLESS OTHERWISE NOTED

DRAWN BY: JMH
 CHECKED BY: UNCHECKED
 DATE: SPRING 2013
 REVISIONS:

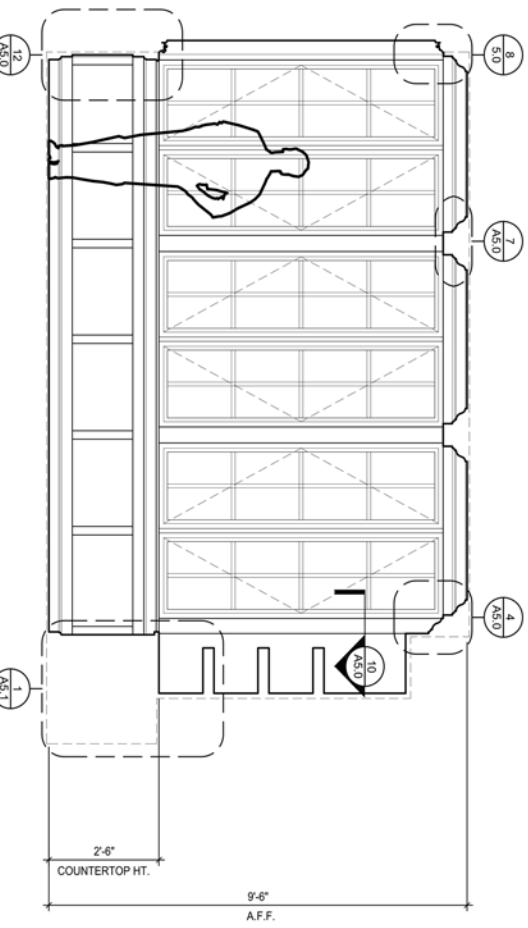
JESSICA HOLMAN
 INT305
 DETAILING
 JOSH BRINCKO

INTERIOR
 ELEVATIONS

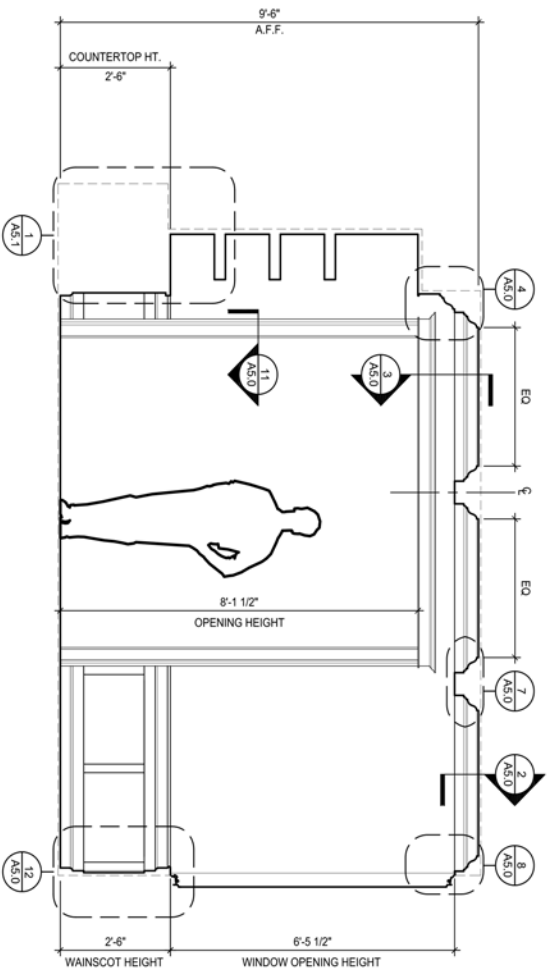
110



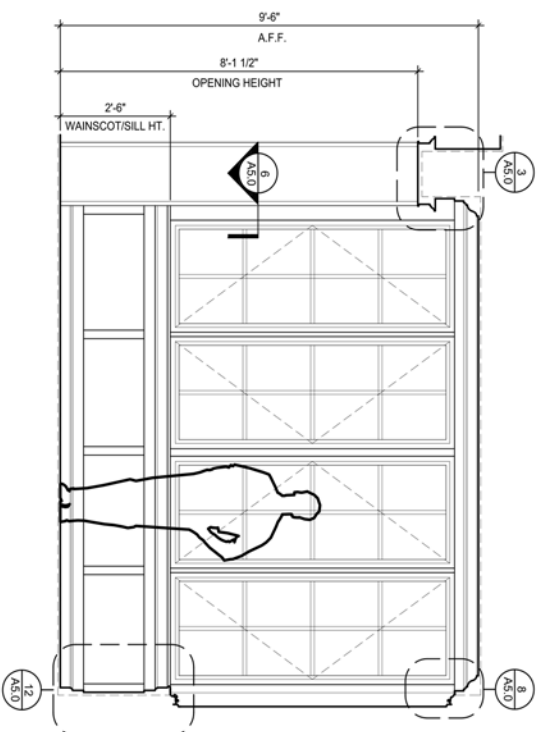
2 FAMILY ROOM 101 - EAST
 SCALE: 1/2" = 1'-0"



1 FAMILY ROOM 101 - NORTH
 SCALE: 1/2" = 1'-0"



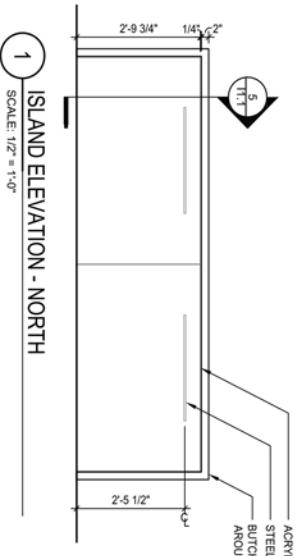
3 FAMILY ROOM 101 - SOUTH
 SCALE: 1/2" = 1'-0"



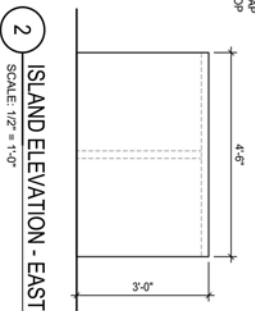
4 FAMILY ROOM 101 - WEST
 SCALE: 1/2" = 1'-0"

DRAWN BY: JMH
 CHECKED BY: UNCHECKED
 DATE: SPRING 2013
 REVISIONS:

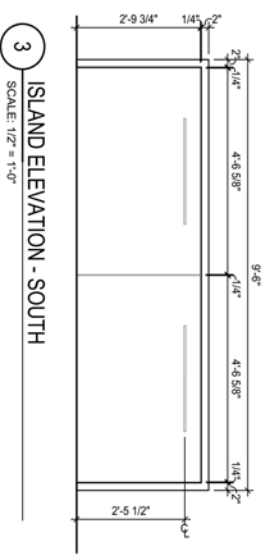
JESSICA HOLMAN
 INT305
 DETAILING
 JOSH BRINCKO



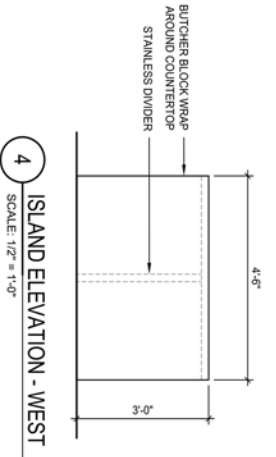
1 ISLAND ELEVATION - NORTH
SCALE: 1/2" = 1'-0"



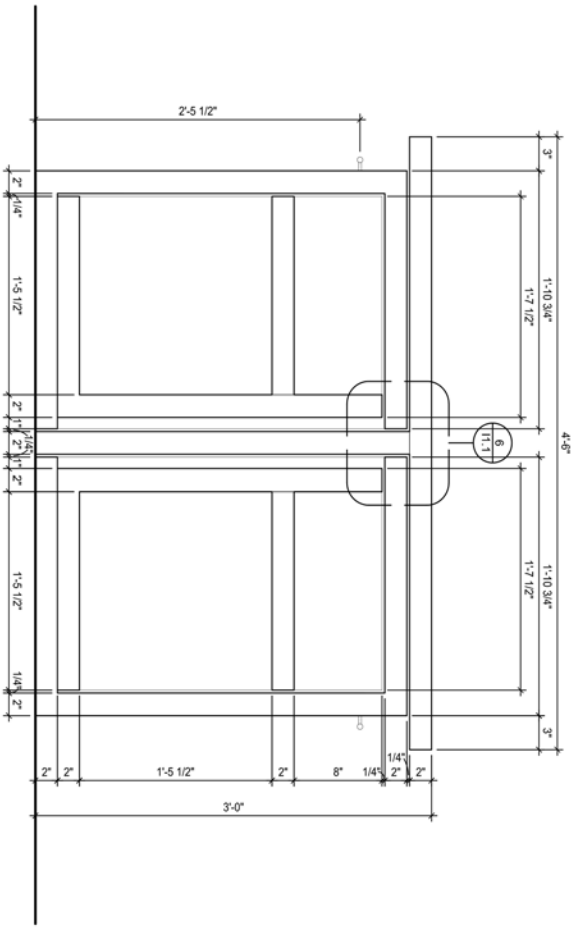
2 ISLAND ELEVATION - EAST
SCALE: 1/2" = 1'-0"



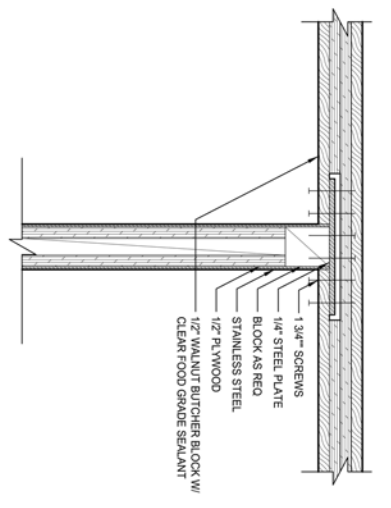
3 ISLAND ELEVATION - SOUTH
SCALE: 1/2" = 1'-0"



4 ISLAND ELEVATION - WEST
SCALE: 1/2" = 1'-0"



5 ISLAND - SECTION
SCALE: 1 1/2" = 1'-0"



6 ATTACHMENT DETAIL
SCALE: 3" = 1'-0"

KITCHEN
 ISLAND

11.1